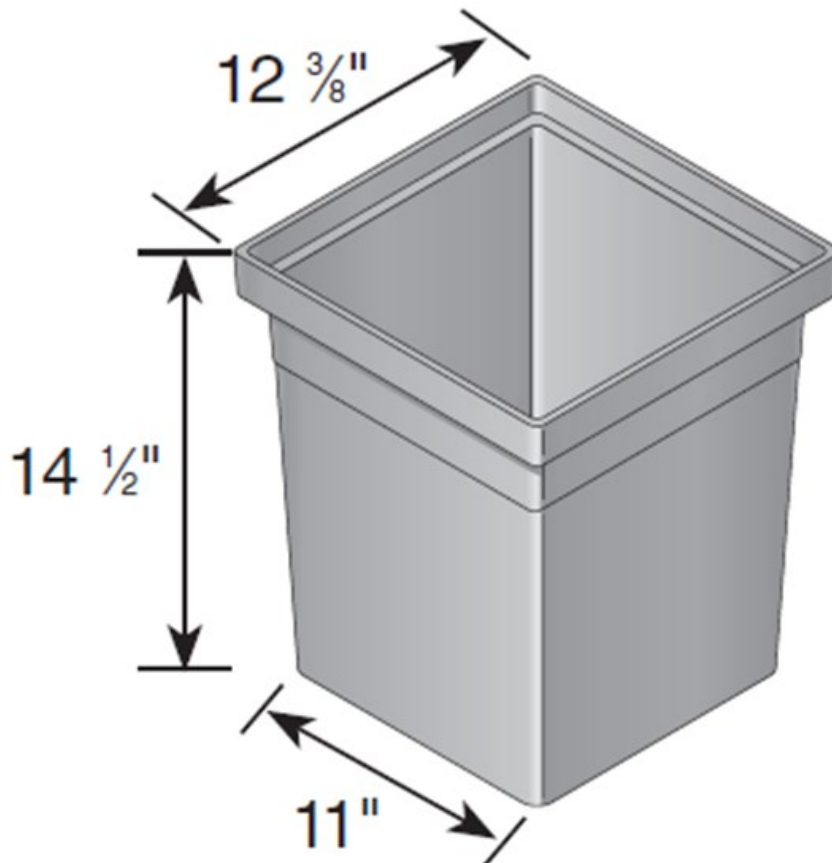


12" x 12" SUMP BOX



Material: Styrene
Colors: Black (1225)
Use with 12" X 12" Grate or Part # 1220 Valve Box
Cover

Supplied By:

**TRENCHDRAIN
SUPPLY**

877-903-7246

www.trenchdrainsupply.com

